



GDVR Series Steam Filter Housings

Product Introduction

GDVR series steam filter housing is a single cartridge housing which can accommodate Filtrafine SSD-Steam/Sterile series filter cartridge. It is equipped with various connections depending on size and has an electro-polished or bead-blast surface finish.

GDVR series steam filter housing is in-line high efficiency filters used to remove contaminate particles from steam systems. GDVR is designed to ensuring high flow rates at low differential pressures. The union / hex-bolt closure design provides absolute sealing and easy installation.

Materials of Construction

Head : 304 or 316L stainless steel
Shell : 304 or 316L stainless steel
Gasket: EPDM (Viton, Silicone are available upon request)



Manufactured from materials which are listed for food contact applications in Title 21 of the U.S. Code of Federal Regulations.



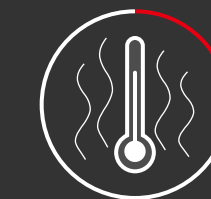
CE Certificated.



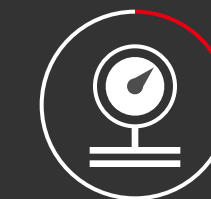
Manufactured under a certificated ISO9001 and ISO14001 quality system.



304, 316L Stainless Steel Material.



Maximum temperature 232°C (450°F).
Only for xGDVR-304/316L-xxxx-HB-xFA.



Maximum Operating Pressure 16bar (232 psi).
Except for xGDVR-304/316L-xxxx-HB-xFA and xGDVR-304/316L-3050-UN-xxx.



Capacity Correction Factors for Gas Applications¹

| | | | | | | | | | | | | | | | | |
|---------------------------|------|------|------|------|------|------|------|------|------|------|------|------|------|------|------|------|
| Operating Pressure (psig) | 15 | 30 | 45 | 60 | 75 | 90 | 100 | 115 | 130 | 150 | 160 | 175 | 190 | 200 | 220 | 230 |
| Correction Factor | 0.25 | 0.36 | 0.52 | 0.60 | 0.75 | 0.90 | 1.00 | 1.10 | 1.20 | 1.40 | 1.50 | 1.60 | 1.75 | 1.90 | 2.00 | 2.10 |

Capacity Correction Factors for Steam Applications¹

| | | | | | | | | |
|----------------------------------|------|------|-----|-----|-----|------|------|------|
| Operating Pressure (psig) | 15 | 30 | 50 | 82 | 115 | 125 | 150 | 175 |
| Saturated Steam Temperature (°F) | 250 | 281 | 297 | 324 | 347 | 353 | 366 | 377 |
| Correction Factor | 0.46 | 0.77 | 1.0 | 1.5 | 2.0 | 2.15 | 2.53 | 2.92 |

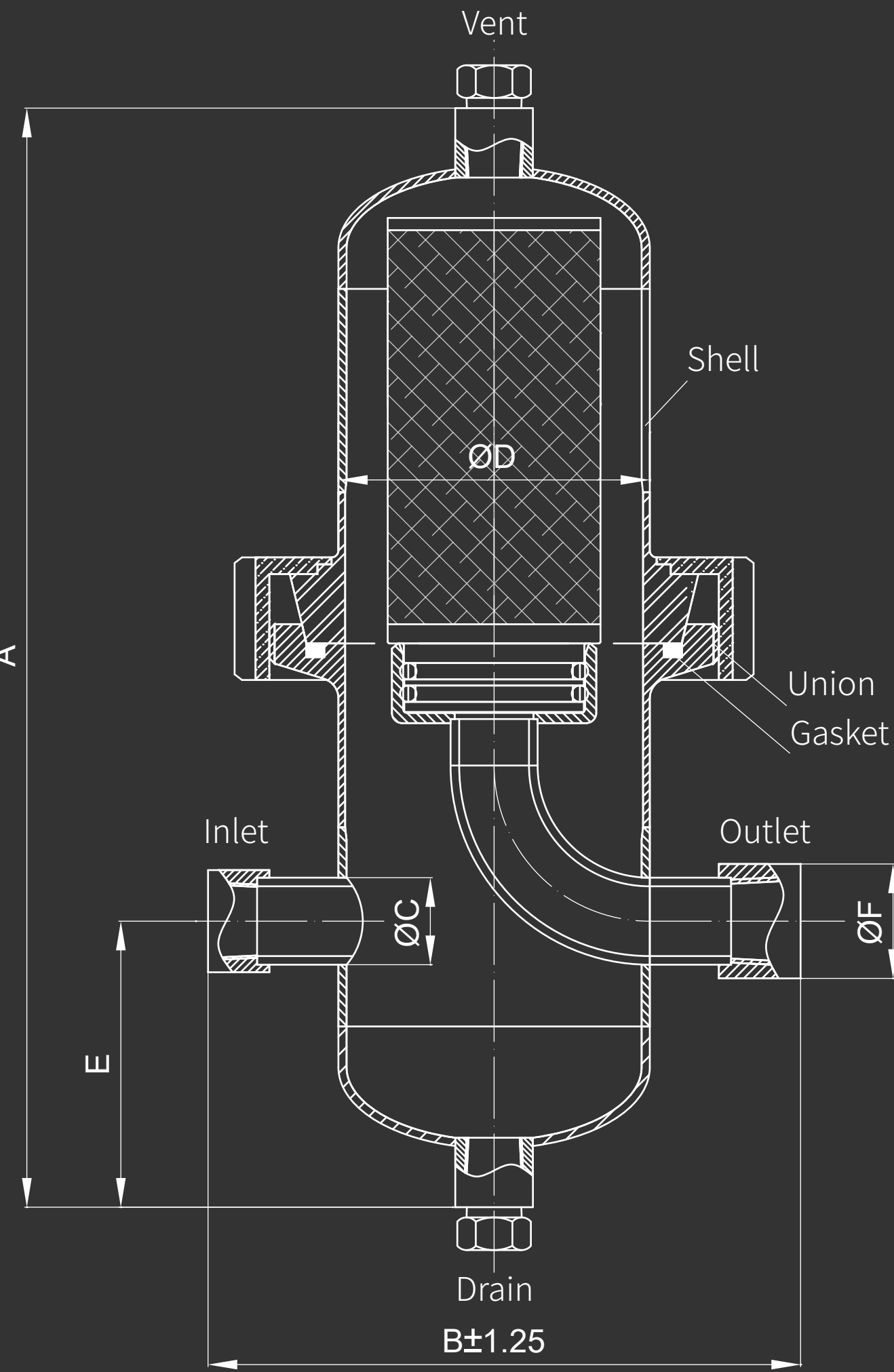
- 1 Published capacity based on 100 psig inlet pressure for compressed gas and 50 psig for steam. To determine capacity at other operating pressures, multiply published value by correction factor. Capacities are general recommendations and may vary based on element selections, operating conditions, and allowable pressure losses.
- 2 GDVR series are designed for elements with UF push-in end.
- 3 Price includes housing only. Gas/steam element price must be added.
- 4 Denotes distributor discount level which applies to list price.

1GDVR-304/316L-xxxx-UN-xTFN

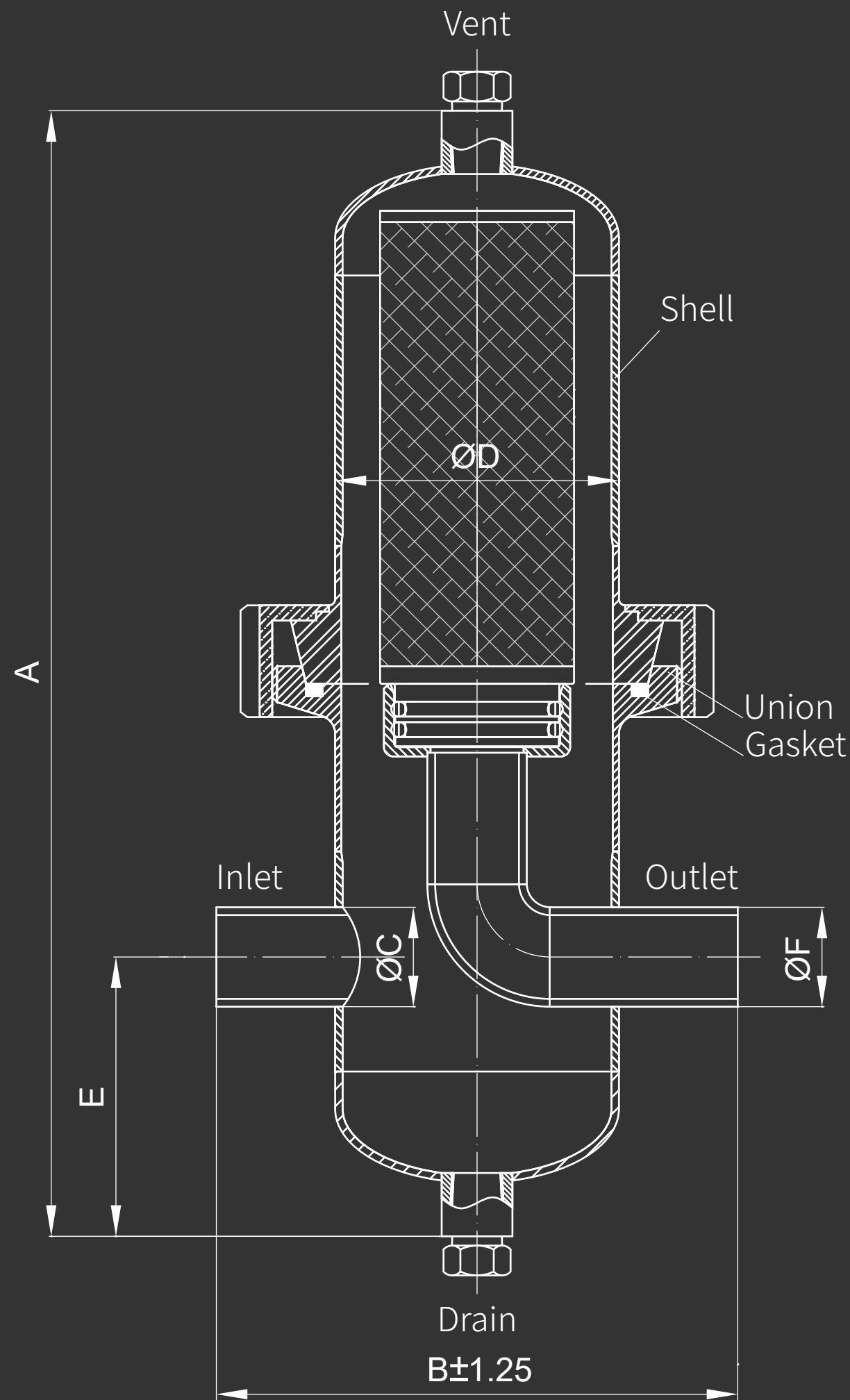
Ordering Information

| 1 | GDVR- | 316L- | 03 | 10- | UN- | 0.25 | TFN |
|--------------------|--------------|--------------------------|--|--|----------------|---|--------------------------------|
| Cartridge Quantity | Product Name | Material of Construction | Cartridge Length | Cartridge Outside Diameter | Lock In Method | Inlet / Outlet Connection Size | Inlet / Outlet Connection Type |
| 1 | GDVR | 304=304SS 316L=316LSS | 03=3", 04=4.1", 05=5", 07=7.1", 10=10", 15=15", 20=20", 30=30" | 10=1.65", 20=2.05", 25=2.44", 30=3.39" 50=5.5" | UN=Union | 0.25", 0.375", 0.5", 0.75", 1", 1.25", 1.5", 2", 2.5", 3" | TFN=FNPT |

| Model | inch(mm) | | | | | | Cartridge Length | Cartridge Outside Diameter | Inlet / Outlet Connection Size | Drain Connection Size | Vent Connection Size | Design Pressure and Temperature | Gas Capacity (scfm) | Steam Capacity (lbs/hr) |
|------------------|------------------|-----------------|-----------------|---------------|----------------|----------------|------------------|----------------------------|--------------------------------|-----------------------|----------------------|---------------------------------|---------------------|-------------------------|
| | A | B | C | D | E | F | | | | | | | | |
| 0310-UN-0.25TFN | 9.53" (242) | 5.13" (130) | 0.81" (21.3) | 3" (76.2) | 2.75" (70) | 0.75" (19) | 3" | 1.65" | 0.25" | 0.25" | 0.25" | 232 psig @ 392°F | 36 | 100 |
| 0410-UN-0.375TFN | 10.63" (270) | 5.5" (140) | 0.81" (21.3) | 3" (76.2) | 2.75" (70) | 1" (25.5) | 4.1" | 1.65" | 0.375" | 0.25" | 0.25" | 232 psig @ 392°F | 54 | 150 |
| 0420-UN-0.5TFN | 10.71" (272) | 5.88" (150) | 0.81" (21.3) | 3" (76.2) | 2.75" (70) | 1.125" (28) | 4.1" | 2.05" | 0.5" | 0.25" | 0.25" | 232 psig @ 392°F | 72 | 175 |
| 0520-UN-0.75TFN | 12.01" (305) | 6.31" (160) | 1.06" (26.7) | 3" (76.2) | 2.94" (75) | 1.25" (32) | 5" | 2.05" | 0.75" | 0.25" | 0.25" | 232 psig @ 392°F | 108 | 225 |
| 0525-UN-1TFN | 13.42" (340) | 6.69" (170) | 1.31" (33.4) | 3" (76.2) | 3.56" (90) | 1.56" (40) | 5" | 2.44" | 1" | 0.25" | 0.25" | 232 psig @ 392°F | 162 | 300 |
| 0725-UN-1.25TFN | 15.86" (403) | 7.06" (180) | 1.69" (42.2) | 3" (76.2) | 3.75" (95) | 2.19" (55) | 7.1" | 2.44" | 1.25" | 0.25" | 0.25" | 232 psig @ 392°F | 216 | 430 |
| 0730-UN-1.5TFN | 16.53" (420) | 8.69" (220) | 1.88" (48.3) | 4" (101.6) | 4.13" (105) | 2.38" (60) | 7.1" | 3.39" | 1.5" | 0.25" | 0.25" | 232 psig @ 392°F | 288 | 610 |
| 1030-UN-2TFN | 20.24" (515) | 9.06" (230) | 2.38" (60.3) | 4" (101.6) | 4.5" (115) | 2.75" (70) | 10" | 3.39" | 2" | 0.25" | 0.25" | 232 psig @ 392°F | 480 | 800 |
| 1530-UN-2TFN | 25.24" (642) | 9.06" (230) | 2.38" (60.3) | 4" (101.6) | 4.5" (115) | 2.75" (70) | 15" | 3.39" | 2" | 0.25" | 0.25" | 232 psig @ 392°F | 720 | 1075 |
| 2030-UN-2.5TFN | 31.26" (794) | 10.63" (270) | 2.87" (73) | 5" (129) | 5.31" (135) | 3.56" (90) | 20" | 3.39" | 2.5" | 0.25" | 0.25" | 232 psig @ 392°F | 960 | 1650 |
| 3030-UN-3TFN | 41.26" (1048) | 12.63" (320) | 2.87" (73) | 5" (129) | 5.31" (135) | 4.13" (105) | 30" | 3.39" | 3" | 0.25" | 0.25" | 232 psig @ 392°F | 1152 | 2050 |
| 3050-UN-3TFN | 42.99" (1090) | 12.63" (320) | 3.5" (88.9) | 6" (154) | 5.88" (150) | 4.13" (105) | 30" | 5.5" | 3" | 0.25" | 0.25" | 174 psig @ 392°F | 1960 | 2530 |



1GDVR-304/316L-xxxx-UN-xWD

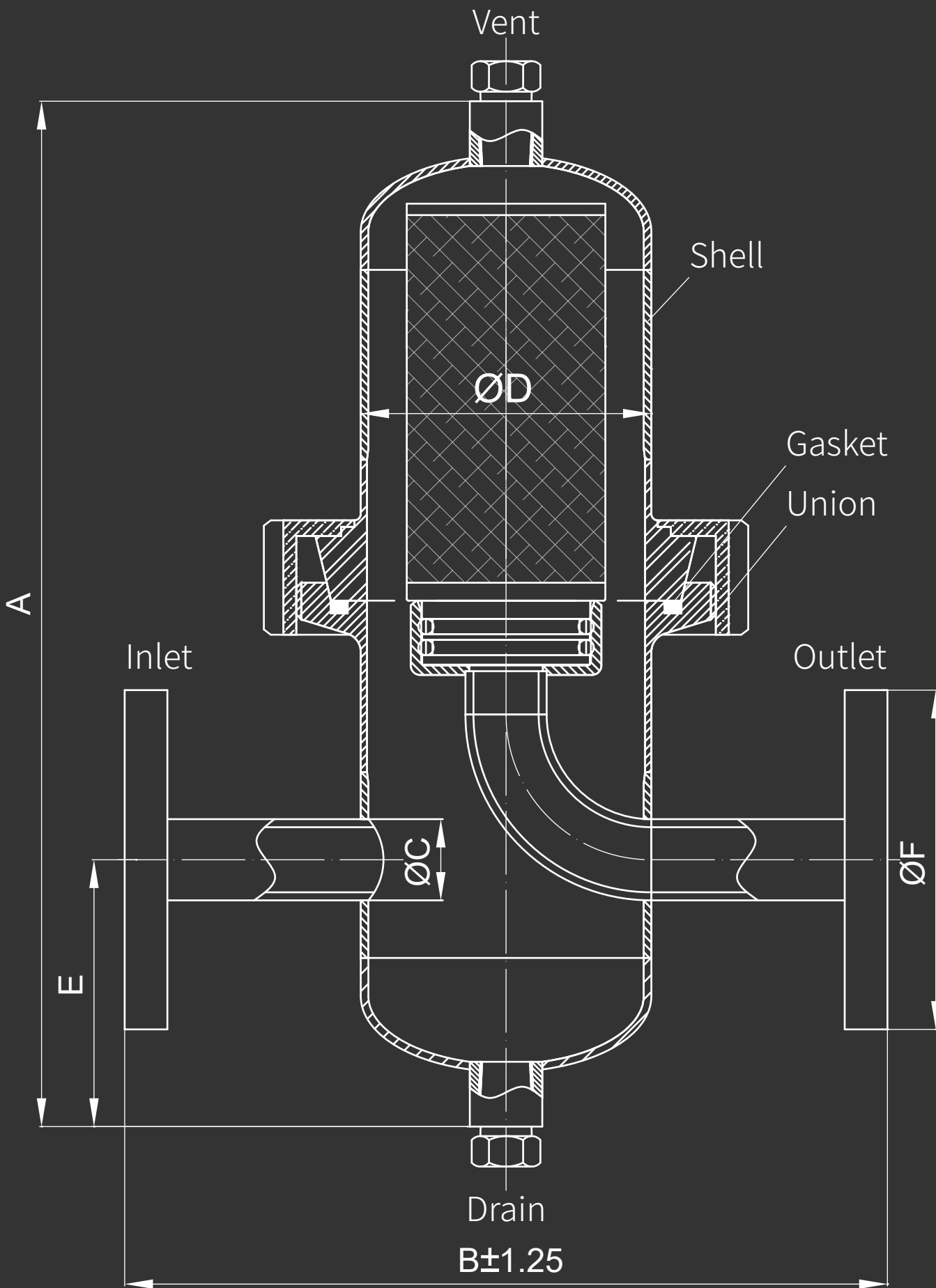


Ordering Information

| 1 | GDVR- | 316L- | 10 | 30- | UN- | 2 | WD |
|--------------------|--------------|--------------------------|--|--|----------------|--|--------------------------------|
| Cartridge Quantity | Product Name | Material of Construction | Cartridge Length | Cartridge Outside Diameter | Lock In Method | Inlet / Outlet Connection Size | Inlet / Outlet Connection Type |
| 1 | GDVR | 304=304SS 316L=316LSS | 03=3", 04=4.1", 05=5", 07=7.1", 10=10", 15=15", 20=20", 30=30" | 10=1.65", 20=2.05", 25=2.44", 30=3.39" 50=5.5" | UN=Union | 0.375", 0.5", 0.75", 1", 1.25", 1.5", 2", 2.5", 3" | WD=Welded Connector |

| | | inch(mm) | | | | | | | | | | | | |
|-----------------|------------------|-----------------|-----------------|---------------|----------------|-----------------|------------------|----------------------------|--------------------------------|-----------------------|----------------------|---------------------------------|---------------------|-------------------------|
| Model | A | B | C | D | E | F | Cartridge Length | Cartridge Outside Diameter | Inlet / Outlet Connection Size | Drain Connection Size | Vent Connection Size | Design Pressure and Temperature | Gas Capacity (scfm) | Steam Capacity (lbs/hr) |
| 0310-UN-0.375WD | 9.53" (242) | 5.5" (140) | 0.81" (21.3) | 3" (76.2) | 2.75" (70) | 0.69" (17.1) | 3" | 1.65" | 0.375" | 0.25" | 0.25" | 232 psig @ 392°F | 36 | 100 |
| 0410-UN-0.375WD | 10.63" (270) | 5.5" (140) | 0.81" (21.3) | 3" (76.2) | 2.75" (70) | 0.69" (17.1) | 4.1" | 1.65" | 0.375" | 0.25" | 0.25" | 232 psig @ 392°F | 54 | 150 |
| 0420-UN-0.5WD | 10.71" (272) | 5.5" (140) | 0.81" (21.3) | 3" (76.2) | 2.75" (70) | 0.81" (21.3) | 4.1" | 2.05" | 0.5" | 0.25" | 0.25" | 232 psig @ 392°F | 72 | 175 |
| 0520-UN-0.75WD | 12.01" (305) | 5.5" (140) | 1.06" (26.7) | 3" (76.2) | 2.94" (75) | 1.06" (26.7) | 5" | 2.05" | 0.75" | 0.25" | 0.25" | 232 psig @ 392°F | 108 | 225 |
| 0525-UN-1WD | 13.42" (340) | 5.5" (140) | 1.31" (33.4) | 3" (76.2) | 3.56" (90) | 1.31" (33.4) | 5" | 2.44" | 1" | 0.25" | 0.25" | 232 psig @ 392°F | 162 | 300 |
| 0725-UN-1.25WD | 15.86" (403) | 5.5" (140) | 1.69" (42.2) | 3" (76.2) | 3.75" (95) | 1.69" (42.2) | 7.1" | 2.44" | 1.25" | 0.25" | 0.25" | 232 psig @ 392°F | 216 | 430 |
| 0730-UN-1.5WD | 16.53" (420) | 7.06" (180) | 1.88" (48.3) | 4" (101.6) | 4.13" (105) | 1.88" (48.3) | 7.1" | 3.39" | 1.5" | 0.25" | 0.25" | 232 psig @ 392°F | 288 | 610 |
| 1030-UN-2WD | 20.24" (515) | 7.06" (180) | 2.38" (60.3) | 4" (101.6) | 4.5" (115) | 2.38" (60.3) | 10" | 3.39" | 2" | 0.25" | 0.25" | 232 psig @ 392°F | 480 | 800 |
| 1530-UN-2WD | 25.24" (642) | 7.06" (180) | 2.38" (60.3) | 4" (101.6) | 4.5" (115) | 2.38" (60.3) | 15" | 3.39" | 2" | 0.25" | 0.25" | 232 psig @ 392°F | 720 | 1075 |
| 2030-UN-2.5WD | 31.26" (794) | 8.69" (220) | 2.87" (73) | 5" (129) | 5.31" (135) | 2.87" (73) | 20" | 3.39" | 2.5" | 0.25" | 0.25" | 232 psig @ 392°F | 960 | 1650 |
| 3030-UN-3WD | 41.26" (1048) | 12" (305) | 3.5" (88.9) | 5" (129) | 5.31" (135) | 3.5" (88.9) | 30" | 3.39" | 3" | 0.25" | 0.25" | 232 psig @ 392°F | 1152 | 2050 |
| 3050-UN-3WD | 42.99" (1090) | 10.25" (260) | 3.5" (88.9) | 6" (154) | 5.88" (150) | 3.5" (88.9) | 30" | 5.5" | 3" | 0.25" | 0.25" | 174 psig @ 392°F | 1960 | 2530 |

1GDVR-304/316L-xxxx-UN-xFA

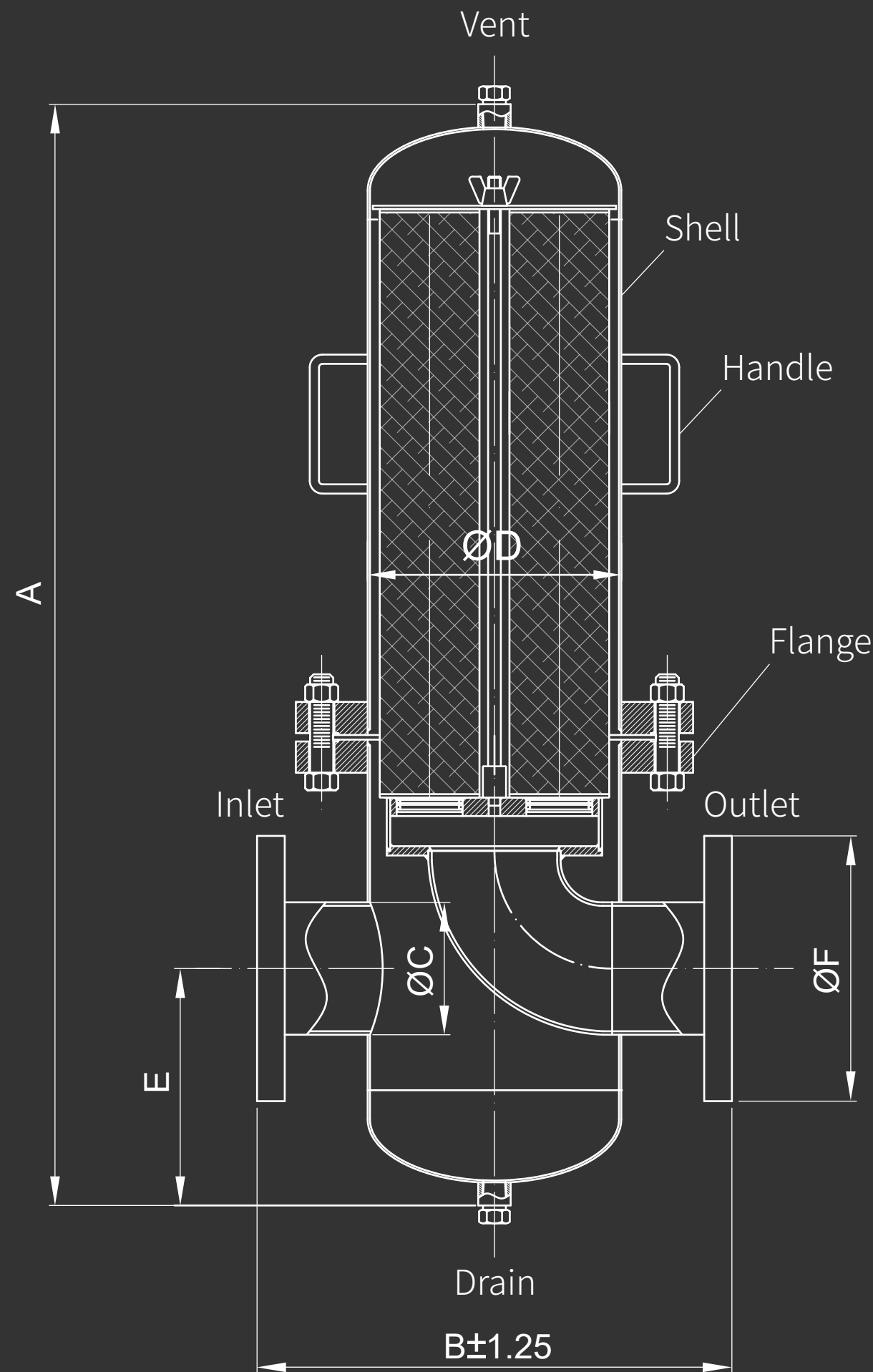


Ordering Information

| 1 | GDVR- | 316L- | 10 | 30- | UN- | 2 | FA |
|--------------------|--------------|--------------------------|--|----------------------------------|----------------|-------------------------------------|--------------------------------|
| Cartridge Quantity | Product Name | Material of Construction | Cartridge Length | Cartridge Outside Diameter | Lock In Method | Inlet / Outlet Connection Size | Inlet / Outlet Connection Type |
| 1 | GDVR | 304=304SS 316L=316LSS | 05=5", 07=7.1", 10=10", 15=15", 20=20", 30=30" | 25=2.44", 30=3.39" 50=5.5" | UN=Union | 1", 1.25", 1.5", 2", 2.5", 3" | FA=ANSI Flange |

| Model | inch(mm) | | | | | | Cartridge Length | Cartridge Outside Diameter | Inlet / Outlet Connection Size | Drain Connection Size | Vent Connection Size | Design Pressure and Temperature | Gas Capacity (scfm) | Steam Capacity (lbs/hr) |
|----------------|---------------|--------------|--------------|------------|-------------|-------------|------------------|----------------------------|--------------------------------|-----------------------|----------------------|---------------------------------|---------------------|-------------------------|
| | A | B | C | D | E | F | | | | | | | | |
| 0525-UN-1FA | 13.42" (340) | 9.81" (250) | 1.31" (33.4) | 3" (76.2) | 3.56" (90) | 4.25" (108) | 5" | 2.44" | 1" | 0.25" | 0.25" | 232 psig @ 302°F | 162 | 300 |
| 0725-UN-1.25FA | 15.86" (403) | 9.81" (250) | 1.69" (42.2) | 3" (76.2) | 3.75" (95) | 4.62" (117) | 7.1" | 2.44" | 1.25" | 0.25" | 0.25" | 232 psig @ 302°F | 216 | 430 |
| 0730-UN-1.5FA | 16.53" (420) | 11.81" (300) | 1.88" (48.3) | 4" (101.6) | 4.13" (105) | 5" (127) | 7.1" | 3.39" | 1.5" | 0.25" | 0.25" | 232 psig @ 302°F | 288 | 610 |
| 1030-UN-2FA | 20.24" (515) | 11.81" (300) | 2.38" (60.3) | 4" (101.6) | 4.5" (115) | 6" (152) | 10" | 3.39" | 2" | 0.25" | 0.25" | 232 psig @ 302°F | 480 | 800 |
| 1530-UN-2FA | 25.24" (642) | 11.81" (300) | 2.38" (60.3) | 4" (101.6) | 4.5" (115) | 6" (152) | 15" | 3.39" | 2" | 0.25" | 0.25" | 232 psig @ 302°F | 720 | 1075 |
| 2030-UN-2.5FA | 31.26" (794) | 13.37" (340) | 2.87" (73) | 5" (129) | 5.31" (135) | 7" (178) | 20" | 3.39" | 2.5" | 0.25" | 0.25" | 232 psig @ 302°F | 960 | 1650 |
| 3030-UN-3FA | 41.26" (1048) | 13.0" (330) | 3.5" (88.9) | 5" (129) | 5.31" (135) | 7.5" (190) | 30" | 3.39" | 3" | 0.25" | 0.25" | 232 psig @ 302°F | 1152 | 2050 |
| 3050-UN-3FA | 42.99" (1090) | 14.93" (380) | 3.5" (88.9) | 6" (154) | 5.88" (150) | 7.5" (190) | 30" | 5.5" | 3" | 0.25" | 0.25" | 174 psig @ 302°F | 1960 | 2530 |

xGDVR-304/316L-xxxx-HB-xFA



Ordering Information

| | | | | | | | |
|--------------------|--------------|--------------------------|------------------|----------------------------|----------------|--------------------------------|--------------------------------|
| 3 | GDVR- | 316L- | 20 | 30- | HB- | 4 | FA |
| Cartridge Quantity | Product Name | Material of Construction | Cartridge Length | Cartridge Outside Diameter | Lock In Method | Inlet / Outlet Connection Size | Inlet / Outlet Connection Type |
| 3, 4, 6, 8, 10 | GDVR | 304=304SS 316L=316LSS | 20=20", 30=30" | 30=3.39" | HB=Hex-Bolt | 4", 6", 8" | FA=ANSI Flange |

| Model | inch(mm) | | | | | | Cartridge Length | Cartridge Outside Diameter | Inlet / Outlet Connection Size | Drain Connection Size | Vent Connection Size | Design Pressure and Temperature | Gas Capacity (scfm) | Steam Capacity (lbs/hr) |
|--------------------|---------------|--------------|---------------|--------------|--------------|-------------|------------------|----------------------------|--------------------------------|-----------------------|----------------------|---------------------------------|---------------------|-------------------------|
| | A | B | C | D | E | F | | | | | | | | |
| 3GDVR-2030-HB-4FA | 37.4" (950) | 16.14" (410) | 4.5" (114.3) | 8.62" (219) | 8.66" (220) | 9" (229) | 20" | 3.39" | 4" | 0.5" | 0.5" | 150 psig @ 450°F | 2880 | 4500 |
| 3GDVR-3030-HB-4FA | 47.44" (1205) | 16.14" (410) | 4.5" (114.3) | 8.62" (219) | 8.66" (220) | 9" (229) | 30" | 3.39" | 4" | 0.5" | 0.5" | 150 psig @ 450°F | 3840 | 5850 |
| 4GDVR-3030-HB-6FA | 51.42" (1306) | 18.9" (480) | 6.63" (168.3) | 10.71" (272) | 9.76" (248) | 11" (279) | 30" | 3.39" | 6" | 0.5" | 0.5" | 150 psig @ 450°F | 4992 | 9200 |
| 6GDVR-3030-HB-6FA | 51.97" (1320) | 21.26" (540) | 6.63" (168.3) | 12.05" (306) | 10.12" (257) | 11" (279) | 30" | 3.39" | 6" | 0.5" | 0.5" | 150 psig @ 450°F | 7680 | 12000 |
| 8GDVR-3030-HB-8FA | 56.93" (1446) | 25.98" (660) | 8.62" (219) | 15.98" (406) | 12.09" (307) | 13.5" (343) | 30" | 3.39" | 8" | 0.5" | 0.5" | 150 psig @ 450°F | 9984 | 14900 |
| 10GDVR-3030-HB-8FA | 56.93" (1446) | 25.98" (660) | 8.62" (219) | 15.98" (406) | 12.09" (307) | 13.5" (343) | 30" | 3.39" | 8" | 0.5" | 0.5" | 150 psig @ 450°F | 12672 | 17100 |